

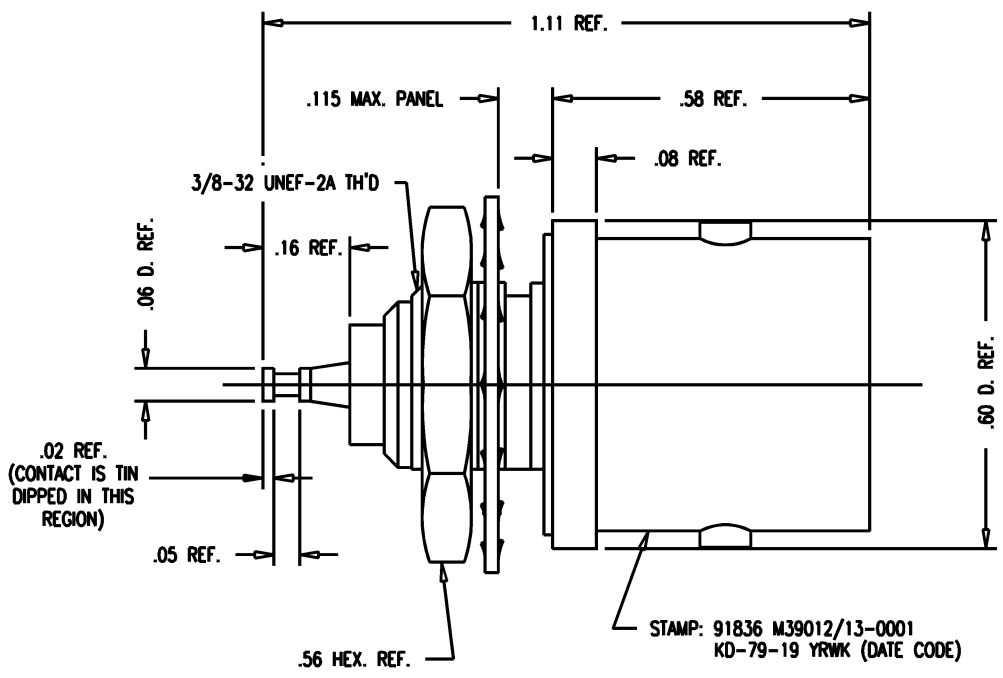
DASH NO.	M CODE	MADE FROM
----------	--------	-----------

SD

M39012/13-0001

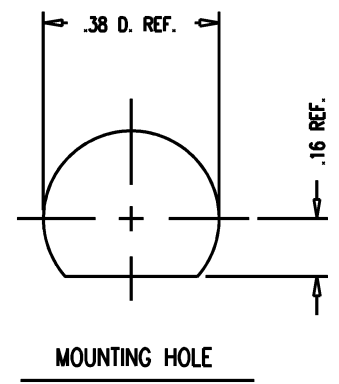
REVISIONS

ISSUE	CHANGES
0	ER 7424 AME 05/02/69
1	CN 23168 E GJG 03/24/82
2	CN 32263 A LNM 06/07/90
3	CN 38697 C BDH 10/21/02



NOTES:

- MATERIALS:  
INSULATOR-TEFLON, ASTM-D-1457  
GASKET-SILICONE RUBBER, ZZ-R-765  
LOCKWASHER-PHOSPHOR BRONZE, QQ-B-750  
CENTER CONTACT-BER. COP., ASTM-B-196  
ALL OTHER METAL PARTS-BRASS, QQ-B-626
- FINISHES:  
CENTER CONTACT-GOLD PLATE PER MIL-G-45204  
ALL OTHER METAL PARTS-SILVER PLATE PER QQ-S-365
- ELECTRICAL CHARACTERISTICS:  
NOMINAL IMPEDANCE-50 OHMS  
FREQUENCY RANGE-DC TO 11 GHZ  
WORKING VOLTAGE-1000 VRMS



MOUNTING HOLE

KAM1208

SCALE	4:1		
APPROX SURFACE AREA			
KD-79-13			
USED ON			
REF:			
RECEPTACLE, BULKHEAD, C			
DRAWN	KH	DATE	06/13/91
DESIGN	MJB	DATE	06/13/91
APPR.		DATE	

SD



ROCK HILL, SOUTH CAROLINA 29730

M39012/13-0001

- UNLESS OTHERWISE SPECIFIED
- |  |   |  |
|--|---|--|
| 1. TOLERANCES: FRACTIONS & 2 PLACE DECIMALS ± .010<br>3 PLACE DECIMALS ± .004 ANGLES ± 1°<br>CONCENTRICITY OF ANY 2 DIAMETERS MAY NOT EXCEED HALF THE SUM OF THEIR TOLERANCES. | 2. REMOVE ALL BURRS, BREAK SHARP EDGES .005 MAX.<br>3. NO FILLETS PERMITTED.<br>4. SURFACE ROUGHNESS 63 MICRONS RMS MAX.<br>5. ALL DIMENSIONS PRIOR TO PLATING.<br>6. ALL PLATING IN ACCORDANCE WITH KER 10004. | 7. ALL LEAD THREADS TO BE CHAMFERED 45° TO ROOT DIAMETER.<br>* CRITICAL DIMENSIONS |
|--|---|--|